

Article datasheet

Batteryholder 3x Mignon "AA" cells Polypropylen,black/PCB terminals

Article-No.: 015.33.632

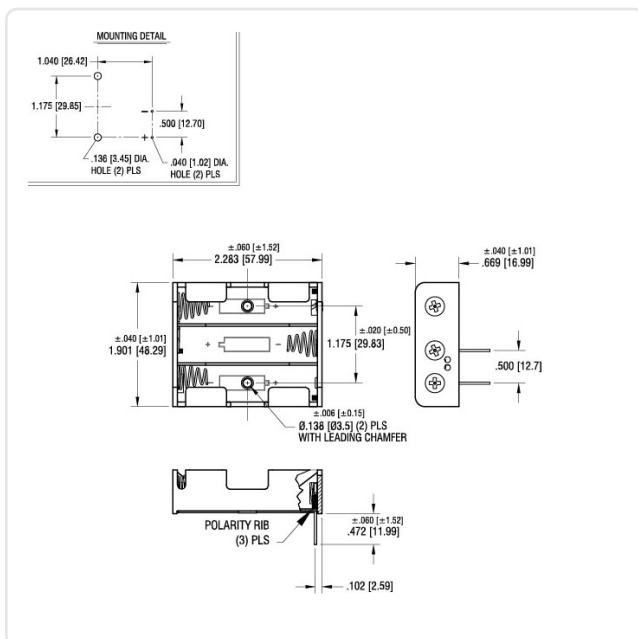


Image may be similar

Battery Type: AA-Mignon
 Flammability Class: UL94-HB
 Material: PP - Polypropylene
 Model: PCB Mounting Connection
 No. Cells: 3
 Weight: 10.45g
 Conformities:



You can find all information on the web on our article detail page



Would you like individual advice?

We look forward to your email to products@ettinger.de.

Subject to change and errors.