

Article datasheet

## Flanged Bearing $\varnothing 10/13/18 \times 15$ -2mm Polyamid 6.6 natural UL94-V2

Article-No.: 005.99.106

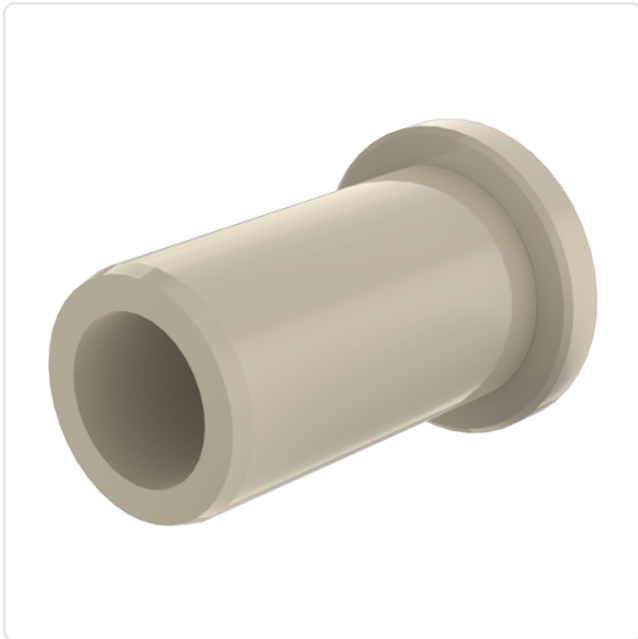


Image may be similar

Color:	Natural
Flammability Class:	UL94-V2
Inner Diameter [mm]:	10
Length [mm]:	15
Lug Diameter [mm]:	13
Material:	PA 6.6
Material Group:	Plastic
Model:	With High Lug
Outer Diameter [mm]:	18
Weight:	1.22g
Conformities:	



You can find all  
information on the web on  
our article detail page

Would you like individual advice?

We look forward to your email to [products@ettinger.de](mailto:products@ettinger.de).

Subject to change and errors.

