

Article datasheet

## Harness Rap 5-20, PE, natural, Roll of 25m

Article-No.: 014.75.321

Manufacturer: SES-Sterling

Manufacturer article-no.: 0819 0008 001



Image may be similar

Bundle Diameter [mm]: 5,0-20,0

Color: Natural

Flammability Class: UL94-V2

Material: PE - Polyethylene

Model: Spiral Cable Wrap

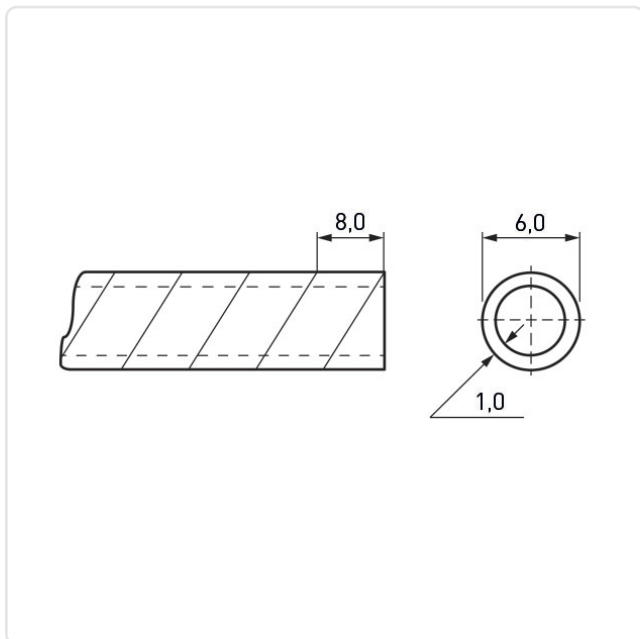
Reel length [m]: 25

Weight: 337g

Conformities:



You can find all  
information on the web on  
our article detail page



Would you like individual advice?

We look forward to your email to [products@ettinger.de](mailto:products@ettinger.de).

Subject to change and errors.