

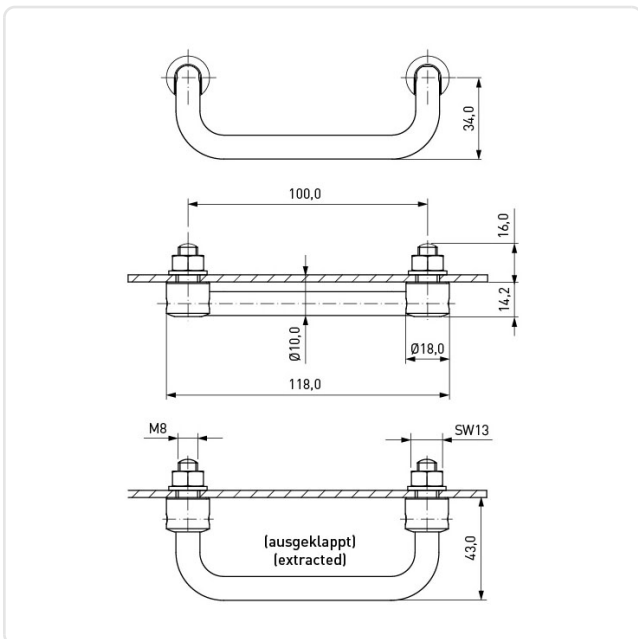
Article datasheet

Round Handle $\varnothing 10/100/43$ M8 thread Stainless Steel 1.4305

Article-No.: 029.29.109



Image may be similar



Dist. Mounting Holes [mm]:	100
Finish:	Plain
Height [mm]:	43
Material:	Stainless Steel AISI 303 / X8CrNiS18-9
Material Group:	Stainless Steel
Model:	Bow-Shaped Handle
Thread Size:	M8
Width [mm]:	10
Weight:	62g
Conformities:	



You can find all information on the web on our article detail page

Would you like individual advice?

We look forward to your email to products@ettinger.de.

Subject to change and errors.