

Article datasheet

## Diecast Aluminum Enclosure 1590FL / unpainted / Flanged Lid

Article-No.: 097.06.511

Manufacturer: Hammond

Manufacturer article-no.: 1590AFL

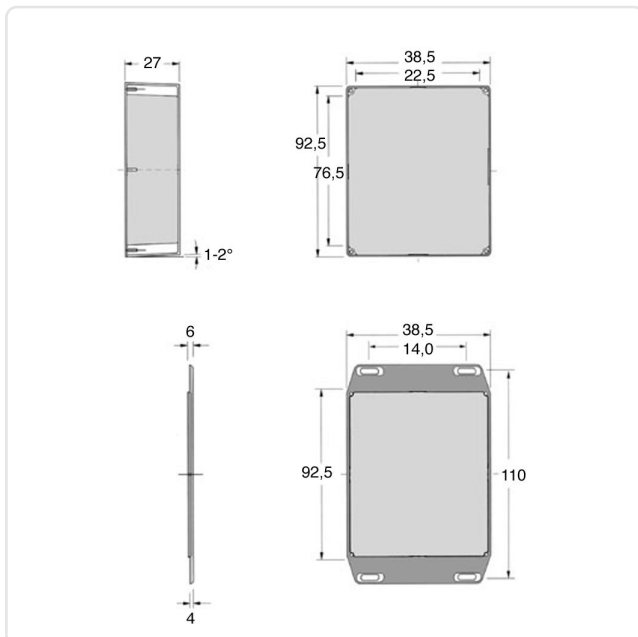


Image may be similar

Height [mm]: 27  
Length [mm]: 92.5  
Material: Aluminum  
Material Group: Aluminum  
Protection Code: IP54  
Width [mm]: 38.5  
Weight: 95.8g  
Conformities:



You can find all information on the web on our article detail page



Would you like individual advice?

We look forward to your email to [products@ettinger.de](mailto:products@ettinger.de).

Subject to change and errors.