

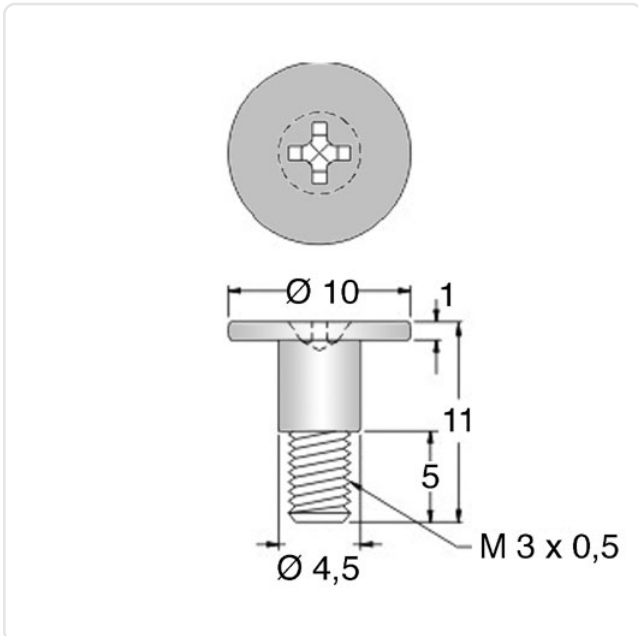
Article datasheet

Collar Screw M3 x 10 Nickel-Plated Steel 4.8 Cross Recess

Article-No.: 001.73.540



Image may be similar



Actuator Size:	Phillips PH1
Drive Type:	Cross Recess / Phillips-H
Finish:	Nickel-Plated, 3 μm , E1E
Head Diameter [mm]:	10
Head Height [mm]:	1
Length [mm]:	10
Material:	Steel 4.8
Material Group:	Steel
Reduced Shank Length [mm]:	5
Thread Size:	M3
Weight:	1.35g
Conformities:	



You can find all information on the web on our article detail page

Would you like individual advice?

We look forward to your email to products@ettinger.de.

Subject to change and errors.