

Article datasheet

Flat Caps for Knobs $\varnothing 16$ ABS black

Article-No.: 050.16.100

Manufacturer: OKW Gehäusesysteme

Manufacturer article-no.: A5016100

OKW
GEHÄUSE
SYSTEME

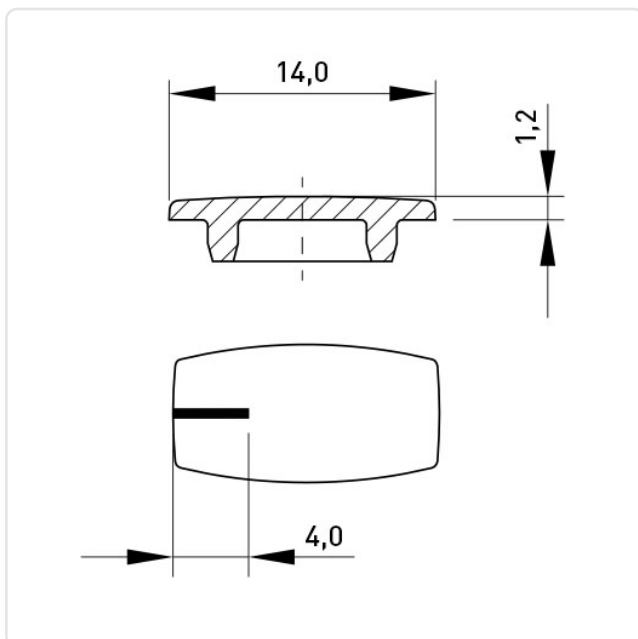


Image may be similar

Color: Black
Marking: Line
Material: ABS - Acrylonitrile Butadiene Styrene
Material Group: Plastic
Model: Cap for Spindle-Shaped Knob
Weight: 0.13g
Conformities:



You can find all
information on the web on
our article detail page



Would you like individual advice?

We look forward to your email to products@ettinger.de.

Subject to change and errors.