

Article datasheet

## Insulating Sleeve 6.3mm PVC transparent

Article-No.: 012.99.681

Manufacturer: SES-Sterling

Manufacturer article-no.: 0105 0001 011

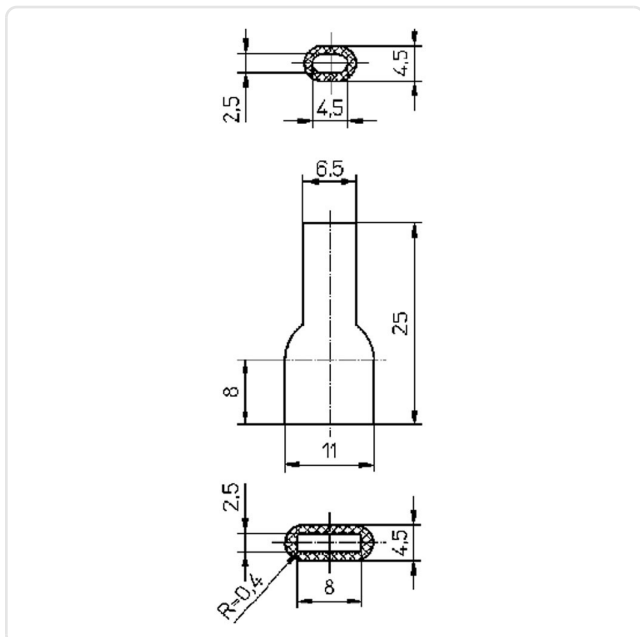


Image may be similar

Color: Natural  
Insulation: PVC  
Length [mm]: 25  
Material: PVC - Polyvinyl Chloride  
Material Group: Kunststoff  
Weight: 0.57g  
Conformities:



You can find all information on the web on our article detail page



Would you like individual advice?

We look forward to your email to [products@ettinger.de](mailto:products@ettinger.de).

Subject to change and errors.