

Article datasheet

PC Fuse Clip 5x20mm Bronze tinned

Article-No.: 015.06.045

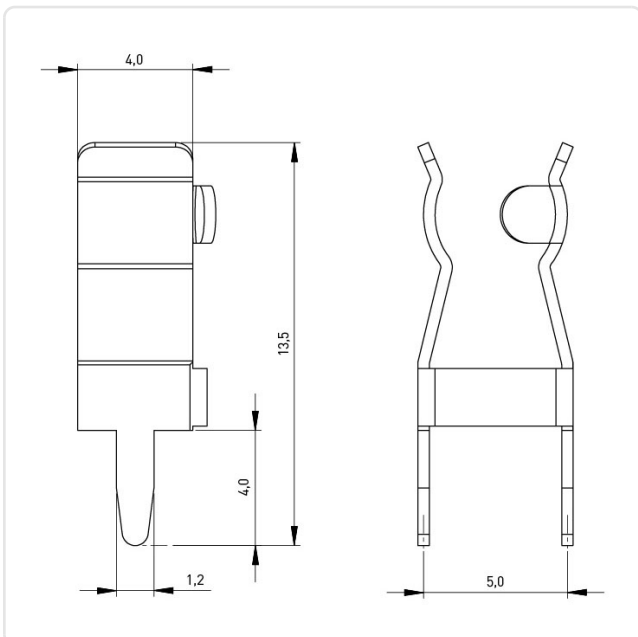


Image may be similar

Fuse Size [mm]: 5.0x20.0
Material: Bronze
Material Group: Bronze
Model: Clip Holder
Mounting Hole [mm]: 1.3
Protection Code: PC1
Weight: 0.37g
Conformities:



You can find all
information on the web on
our article detail page



Would you like individual advice?

We look forward to your email to products@ettinger.de.

Subject to change and errors.