

Article datasheet

PCB Support 15.9 | \varnothing 4.0 | \varnothing 7.9 Polyamide 6.6 natural

Article-No.: 006.67.156



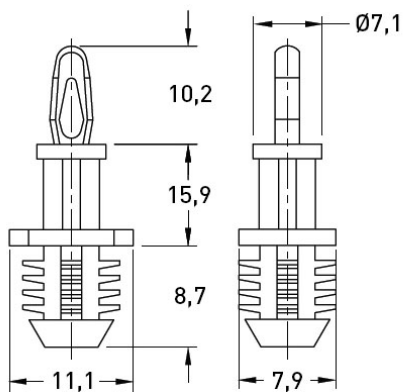
Image may be similar

Color: Natural
 Flammability Class: UL94-V2
 Length [mm]: 15.9
 Material: PA 6.6
 PCB Hole \varnothing [mm]: 4
 PCB Thickness [mm]: 1,6
 Panel Hole \varnothing [mm]: 7.9
 Panel Thickness [mm]: 6,4
 Weight: 0.62g
 Conformities:



You can find all information on the web on our article detail page

Top Hole: Snap-fit: 4
 Panel Thickness: 1,57



Bottom Hole: Press-fit: 7,92
 Panel Thickness: 6,4 min.

Would you like individual advice?

We look forward to your email to products@ettinger.de.

Subject to change and errors.