

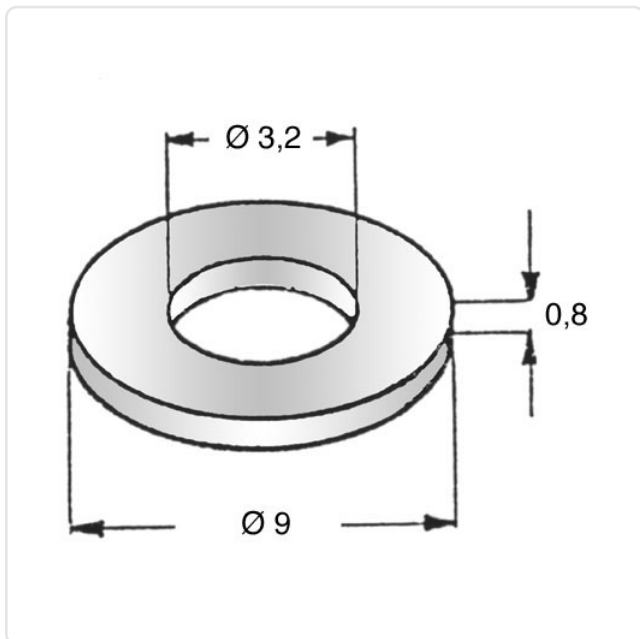
Article datasheet

Flat Washer DIN9021/ISO7093 Ø3.2/9.0 x 0.8 Nickel-Plated Steel

Article-No.: 003.06.633



Image may be similar



DIN/ISO:	DIN9021 / ISO7093
Finish:	Nickel-Plated, 3 µm, E1E
For Thread Size:	M3
Height [mm]:	0.8
Inner Diameter [mm]:	3.2
Material:	Steel
Material Group:	Stahl
Outer Diameter [mm]:	9
Weight:	0.34g
Conformities:	



You can find all information on the web on our article detail page

Would you like individual advice?

We look forward to your email to products@ettinger.de.

Subject to change and errors.