

Article datasheet

Twin cable ferrule 2x 4mm²/12mm Polypropylene, grey/Not UL listed

Article-No.: 018.82.408

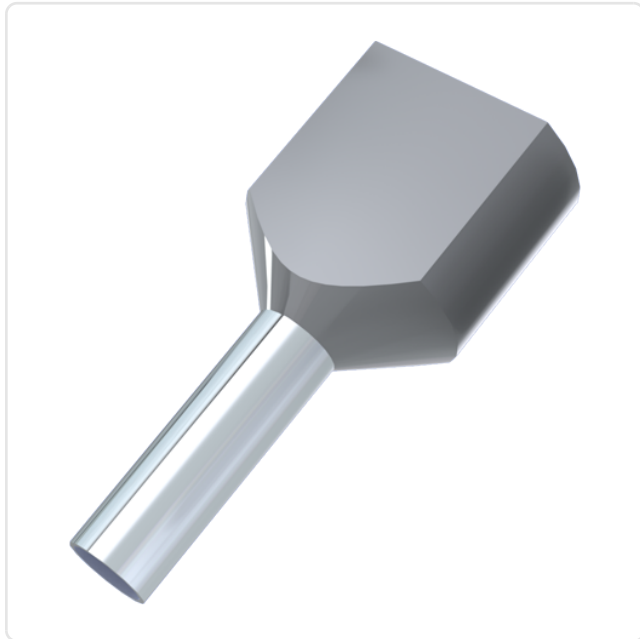
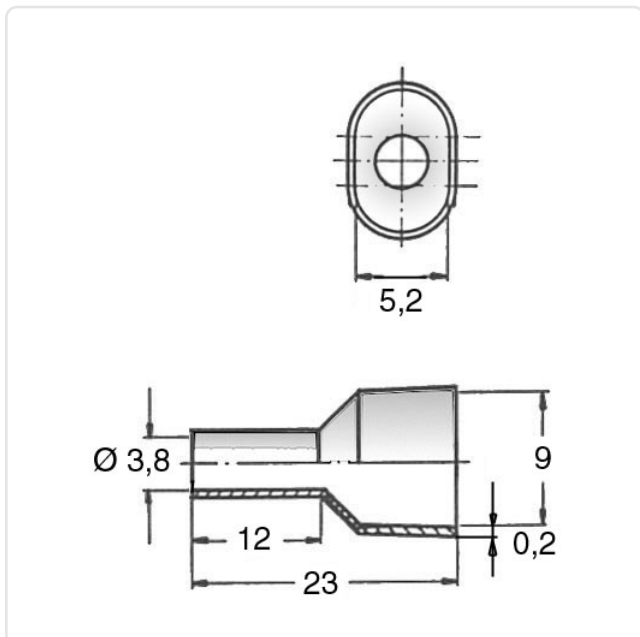


Image may be similar

Color:	Gray
Finish:	Tin-Plated
Insulation:	Polypropylene
Length [mm]:	29
Material:	Electrolytic Copper
Plug-In Length [mm]:	12
Wire Cross Section [mm ²]:	4.0
Weight:	0.42g
Conformities:	



You can find all information on the web on our article detail page



Would you like individual advice?

We look forward to your email to products@ettinger.de.

Subject to change and errors.