

Article datasheet

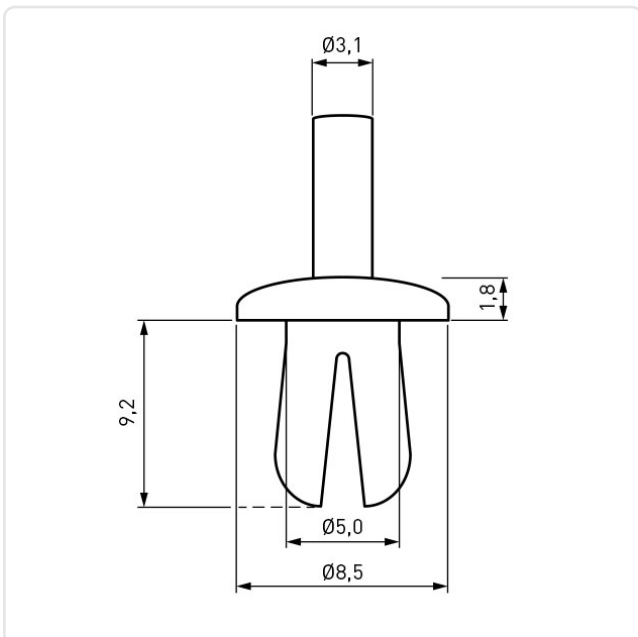
Drive Rivet Ø5.0 | 1.5-7.0 Polyamide 6.6 black

Article-No.: 072.14.570



Image may be similar

| | |
|---------------------------|---------------|
| Color: | Black |
| Flammability Class: | UL94-V2 |
| Head Diameter [mm]: | 8.5 |
| Head Height [mm]: | 1.8 |
| Length [mm]: | 9.2 |
| Mandrel Diameter [mm]: | 3.1 |
| Material: | PA 6.6 |
| Model: | not removable |
| Mounting Hole Range [mm]: | Ø 5.0-5.3 |
| Panel Thickness [mm]: | 1,5-7,0 |
| Rivet Diameter [mm]: | 5 |
| Weight: | 0.29g |
| Conformities: | |



You can find all information on the web on our article detail page

Would you like individual advice?

We look forward to your email to products@ettinger.de.

Subject to change and errors.