

Article datasheet

## Solder Terminal Pin $\varnothing 1.2 \times 10.4 \text{mm}$ Brass tinned

Article-No.: 013.70.835

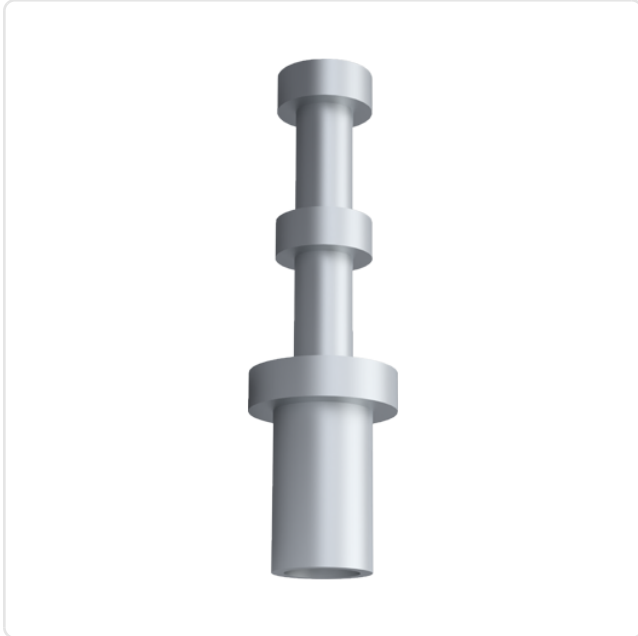


Image may be similar

Diameter [mm]: 2  
Finish: Tin-Plated  
Length [mm]: 10.4  
Material: Brass  
Material Group: Messing  
Model: round  
PCB Hole  $\varnothing$  [mm]: 2.1  
Weight: 0.19g  
Conformities:



You can find all information on the web on our article detail page

Would you like individual advice?

We look forward to your email to [products@ettinger.de](mailto:products@ettinger.de).

Subject to change and errors.

