




Article datasheet

## Split Washer DIN127 B $\text{\O}4.1/7.6 \times 0.9$ A1 Plain Stainless Steel

Article-No.: 003.63.042

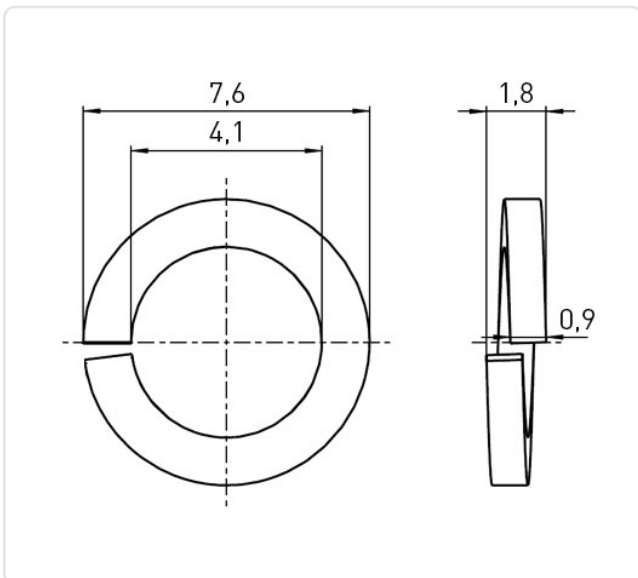


Image may be similar

DIN/ISO:	DIN127B
Finish:	Plain
For Thread Size:	M4
Height [mm]:	0.9
Inner Diameter [mm]:	4.1
Material:	Stainless Steel AISI 303 / A1
Material Group:	Stainless Steel
Outer Diameter [mm]:	7.6
Weight:	0.19g
Conformities:	  



You can find all information on the web on our article detail page



Would you like individual advice?

We look forward to your email to [products@ettinger.de](mailto:products@ettinger.de).

Subject to change and errors.