

Article datasheet

Tubular Rivet DIN7340 B 1.5x0.25x1.5 Silver-Plated Brass

Article-No.: 019.89.029

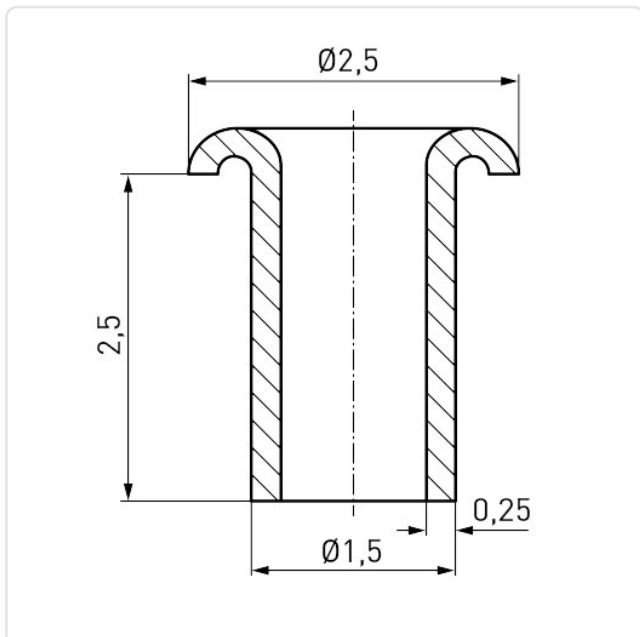


Image may be similar

DIN/ISO: DIN7340B
Finish: Silver-Plated
Head Diameter [mm]: 2.5
Length [mm]: 2.5
Material: Brass
Rivet Diameter [mm]: 1.5
Wall Thickness [mm]: 0.25
Weight: 0.03g
Conformities:



You can find all information on the web on our article detail page



Would you like individual advice?

We look forward to your email to products@ettinger.de.

Subject to change and errors.