

Article datasheet

Circuit Board Puller 38x22mm 1.6mm Polyamid 6.6 natural UL94-V2 E70062

Article-No.: 075.92.321

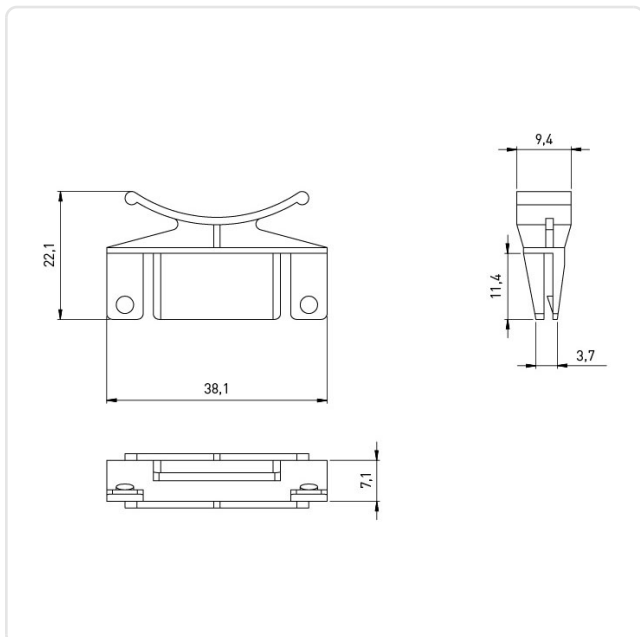


Image may be similar

Color: Natural
Dist. Mounting Holes [mm]: 31.8
Flammability Class: UL94-V2
Material: PA 6.0
Material Group: Plastic
Width [mm]: 9.4
Weight: 1.64g
Conformities:



You can find all information on the web on our article detail page



Would you like individual advice?

We look forward to your email to products@ettinger.de.

Subject to change and errors.