

Article datasheet

## Harness Rap

Article-No.: 014.75.110

Manufacturer: SES-Sterling

Manufacturer article-no.: 0819 0004 010

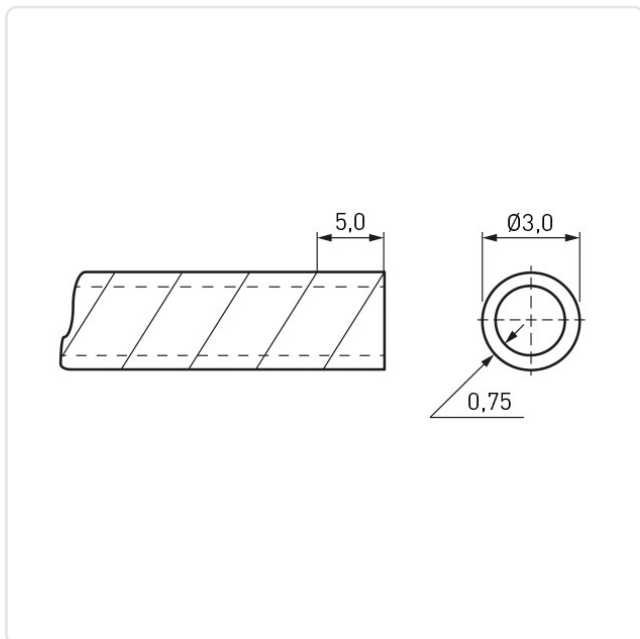


Image may be similar

Bundle Diameter [mm]: 1,5-7,0  
Color: Black  
Flammability Class: UL94-HB  
Material: PE - Polyethylene  
Model: Spiral Cable Wrap  
Reel length [m]: 50  
Weight: 224g  
Conformities:



You can find all  
information on the web on  
our article detail page



Would you like individual advice?

We look forward to your email to [products@ettinger.de](mailto:products@ettinger.de).

Subject to change and errors.