

Article datasheet

Power-Elements M6 rated max. 10A for one Pin

Article-No.: 013.45.662

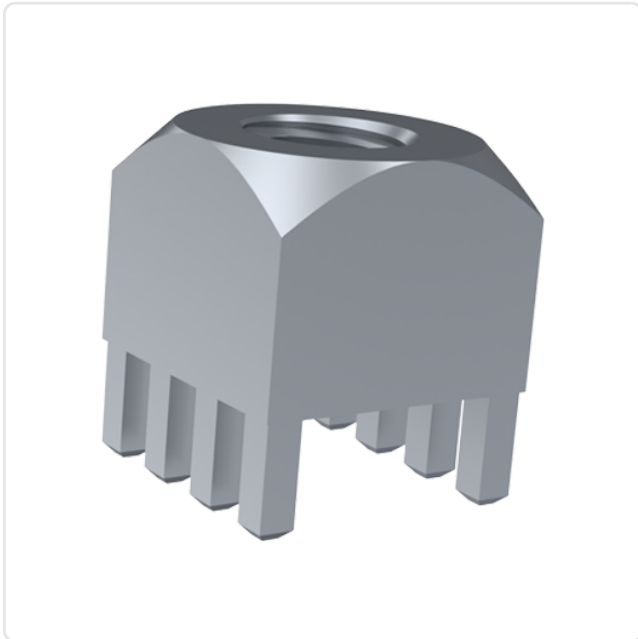
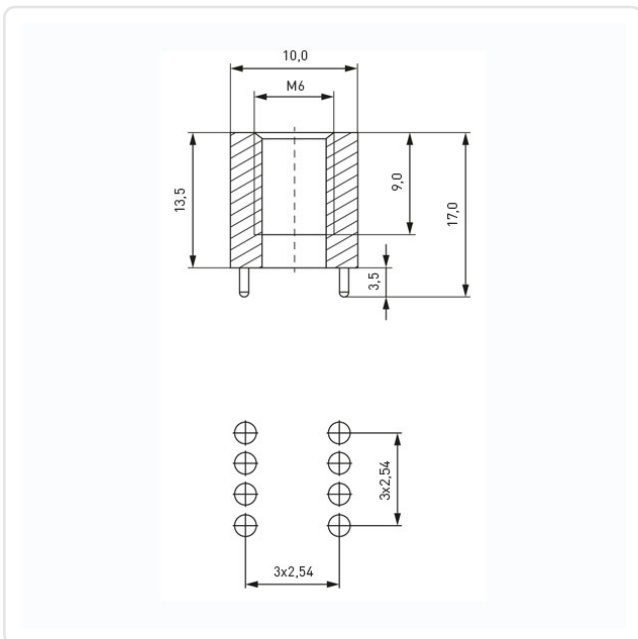


Image may be similar

Amperage [A]: 80
Finish: Tin-Plated
Grid [mm]: 2.54
Material: Brass
Material Group: Brass
PCB Hole Ø [mm]: 1.65
Thread Size: M6
Weight: 9.3g
Conformities:



You can find all information on the web on our article detail page



Would you like individual advice?

We look forward to your email to products@ettinger.de.

Subject to change and errors.