

Article datasheet

Self-Tapping Screw for Plastic 3x6 PT Galvanized Q&T Steel Pozi Pan Head

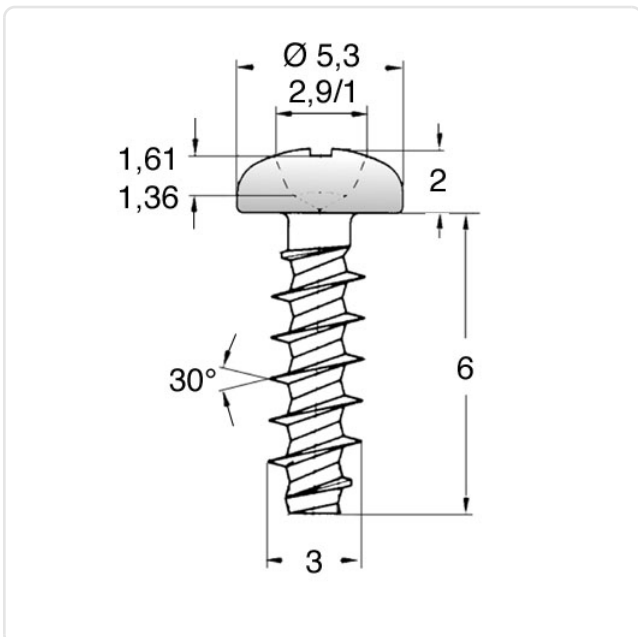
Article-No.: 001.97.321



Actuator Size:	Pozidriv PZ1
Drive Type:	Cross Recess / Pozidriv-Z
Finish:	Galvanized, Blue, 5 µm, A2K
Head Diameter [mm]:	5.3
Head Height [mm]:	2
Head Shape:	Pan Head
Length [mm]:	6
Material:	Steel lead-free
Material Group:	Stahl
Thread Diameter [mm]:	Ø 3.0
Thread Type:	PT Thread
Weight:	0.41g
Conformities:	



Image may be similar



You can find all
information on the web on
our article detail page

Would you like individual advice?

We look forward to your email to products@ettinger.de.

Subject to change and errors.