

Article datasheet

Flat Cable Clamp Aluminum 50.8mm with adhesive tape

Article-No.: 072.58.834

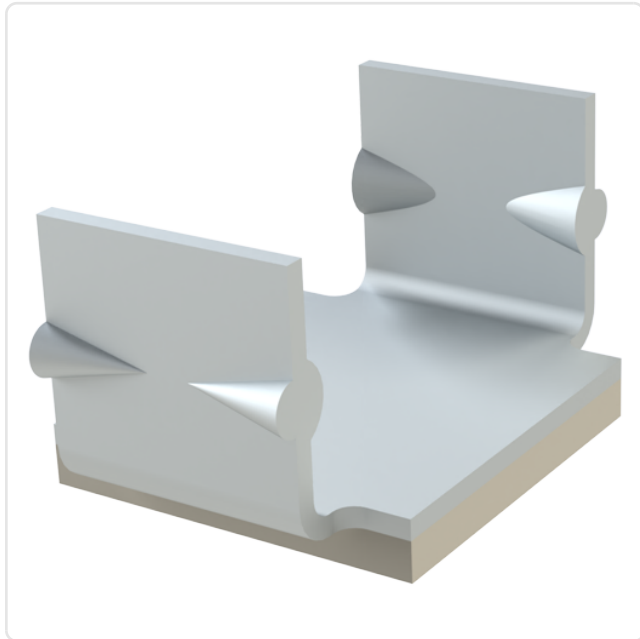
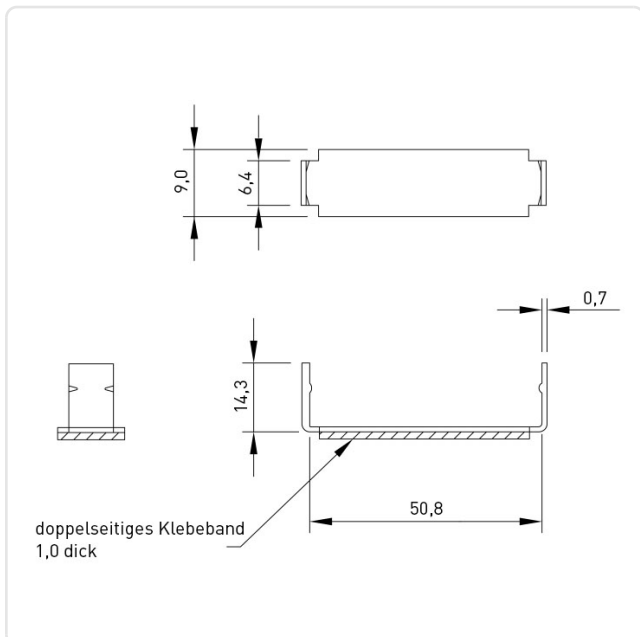


Image may be similar



Bundle Diameter [mm]:	40,0-60,0
Color:	Natural
Height [mm]:	14.3
Material:	Aluminum ENAW-5754 / AlMg3, lead-free
Material Group:	Aluminum
Model:	Flat Cable, Retaining Tab Bendable
Width [mm]:	52.4
Weight:	1.27g
Conformities:	



You can find all information on the web on our article detail page

Would you like individual advice?

We look forward to your email to products@ettinger.de.

Subject to change and errors.