

Article datasheet

## End-Sleeve DIN 46228 0.5mm<sup>2</sup>/6mm E-Copper silver-plated

Article-No.: 018.90.059

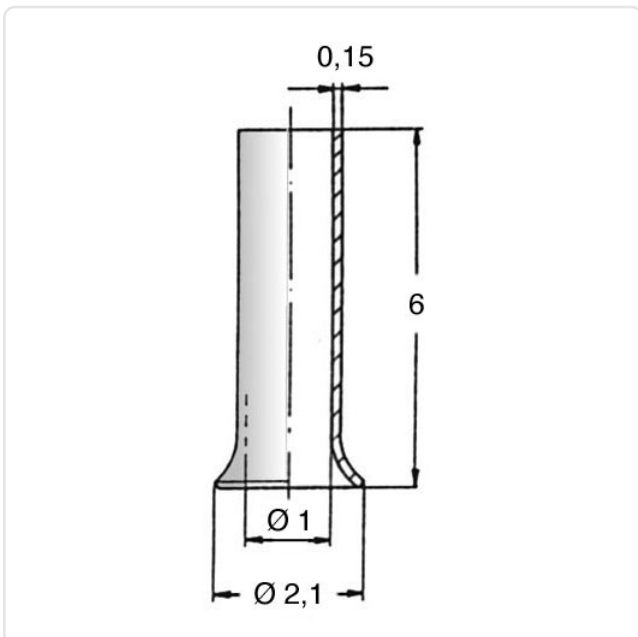


Image may be similar

Color:	Silver
Finish:	Silver-Plated
Length [mm]:	6
Material:	Electrolytic Copper
Material Group:	Copper
Wire Cross Section [mm <sup>2</sup> ]:	0.5
Weight:	0.03g
Conformities:	



You can find all information on the web on our article detail page



Would you like individual advice?

We look forward to your email to [products@ettinger.de](mailto:products@ettinger.de).

Subject to change and errors.