

Article datasheet

Interlocking Hose Clamp Ø24.1-26.2 Polyamide 6.6 black

Article-No.: 014.43.260

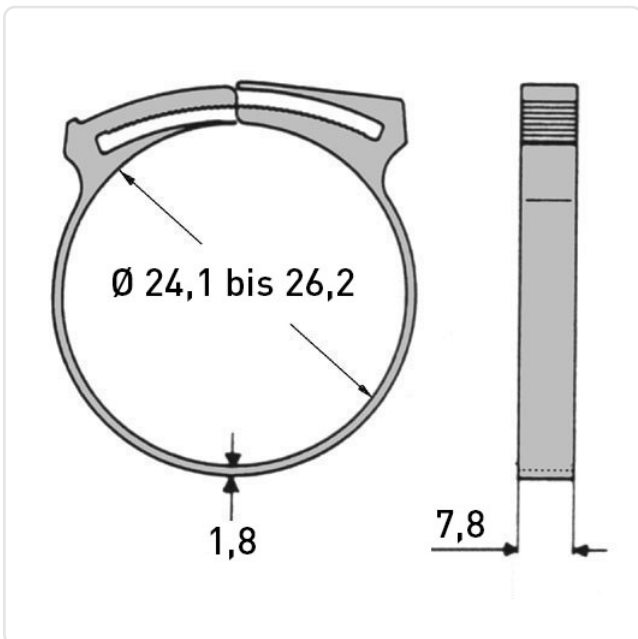


Image may be similar

Color:	Black
Flammability Class:	UL94-V2
Material:	PA 6.6
Panel Thickness Range [mm]:	24,1-26,2
Thickness [mm]:	1.8
Width [mm]:	7.8
Weight:	3.63g
Conformities:	



You can find all information on the web on our article detail page



Would you like individual advice?

We look forward to your email to products@ettinger.de.

Subject to change and errors.