

Article datasheet

Soldering tag $\varnothing 4.3/7.0 \times 46.5$ mm Brass tinned 0.5mm thick

Article-No.: 019.05.145

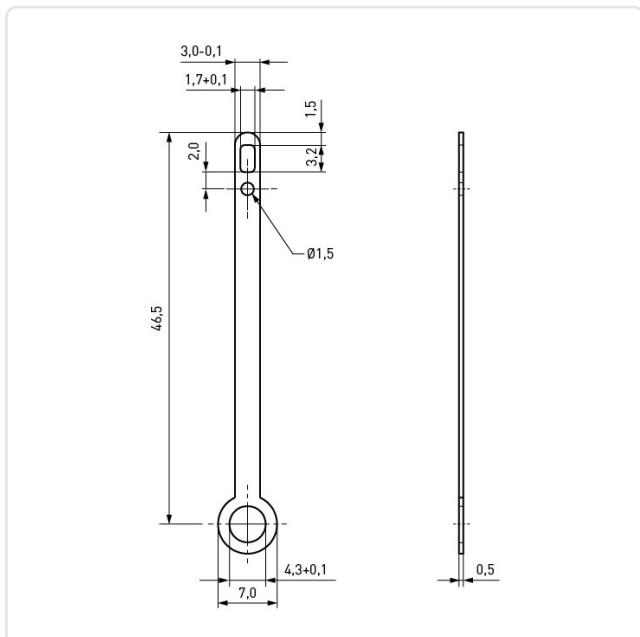


Image may be similar

Finish: Tin-Plated
Inner Diameter [mm]: 4.3
Length [mm]: 46.5
Material: Brass
Material Group: Brass
Outer Diameter [mm]: 7
Weight: 0.61g
Conformities:



You can find all
information on the web on
our article detail page



Would you like individual advice?

We look forward to your email to products@ettinger.de.

Subject to change and errors.