

Article datasheet

## Butt Connector DIN 46341 4-6mm<sup>2</sup> Copper tinned without insulation

Article-No.: 018.73.045

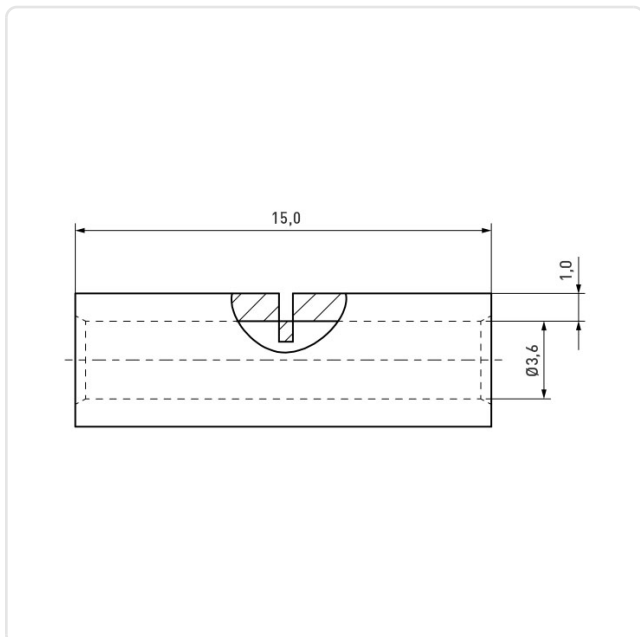


Image may be similar

DIN/ISO: DIN46341  
Finish: Tin-Plated  
Length [mm]: 14.5  
Material: Electrolytic Copper  
Wire Cross Section [mm<sup>2</sup>]: 4.0-6.0  
Weight: 1.65g  
Conformities:



You can find all information on the web on our article detail page



Would you like individual advice?

We look forward to your email to [products@ettinger.de](mailto:products@ettinger.de).

Subject to change and errors.