

Article datasheet

Fast On Receptacle 6.3x0.8mm 1,5-2.5mm² Brass pure DIN 46247

Article-No.: 012.68.201

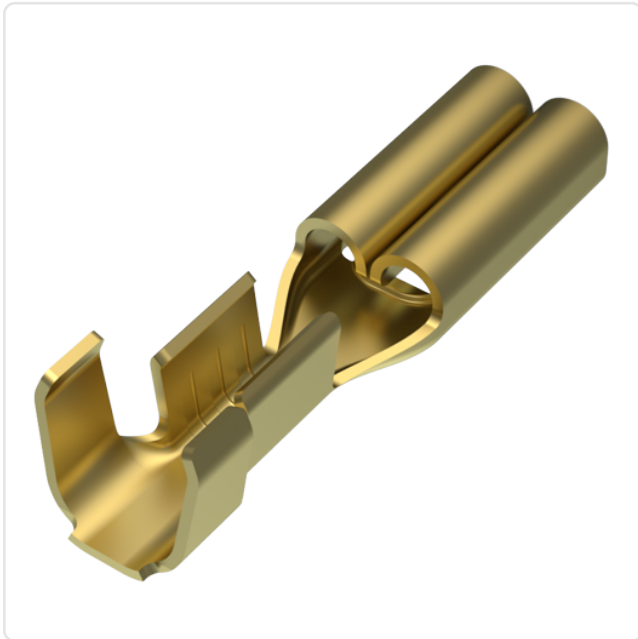


Image may be similar

DIN/ISO:	DIN46247
Finish:	Plain
Length [mm]:	19.2
Material:	Brass
Material Group:	Messing
Size [mm]:	6.3x0.8
Wire Cross Section [mm ²]:	1.0-2.5
Weight:	0.83g
Conformities:	



You can find all information on the web on our article detail page

Would you like individual advice?

We look forward to your email to products@ettinger.de.

Subject to change and errors.

