

Article datasheet

## Hole Plug $\varnothing 10/12 \times 4$ mm polyethylene, black (RAL 9005)

Article-No.: 014.14.910

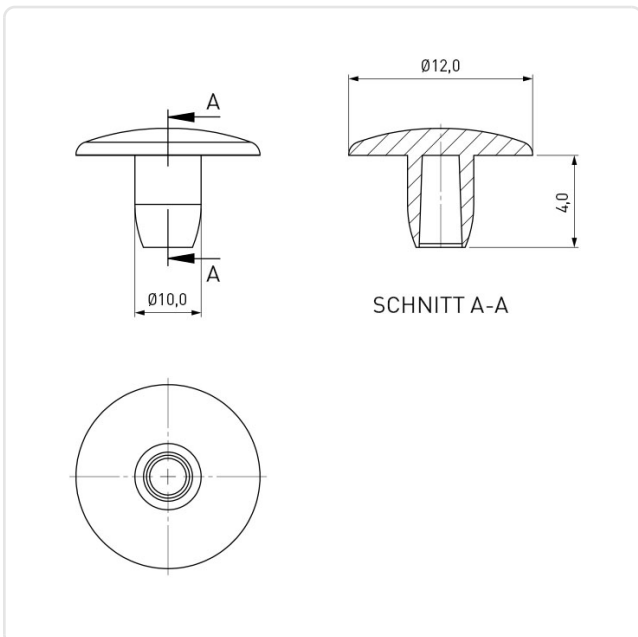


Image may be similar

Color: Black  
Inner Diameter [mm]: 10  
Material: PE - Polyethylene  
Material Group: Plastic  
Model: Hole Plug  
Outer Diameter [mm]: 12  
Weight: 0.26g  
Conformities:



You can find all  
information on the web on  
our article detail page



Would you like individual advice?

We look forward to your email to [products@ettinger.de](mailto:products@ettinger.de).

Subject to change and errors.