

Article datasheet

Switch Stainless Steel 1A/50ac IP68 Screw terminals

Article-No.: 011.13.609

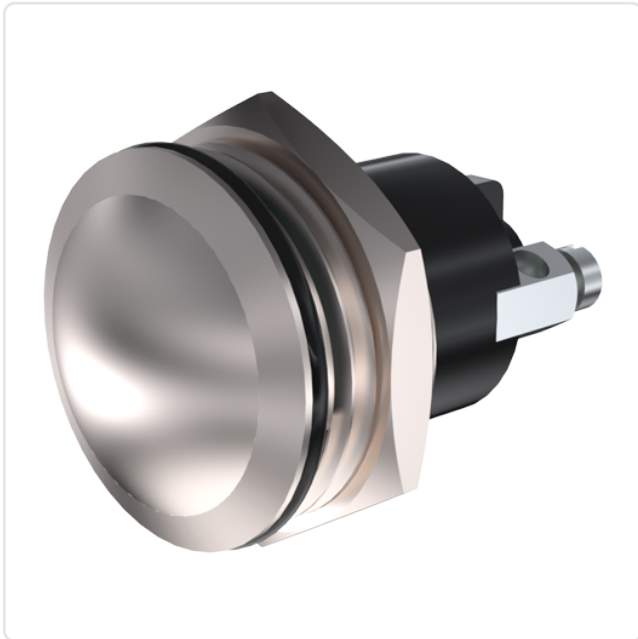
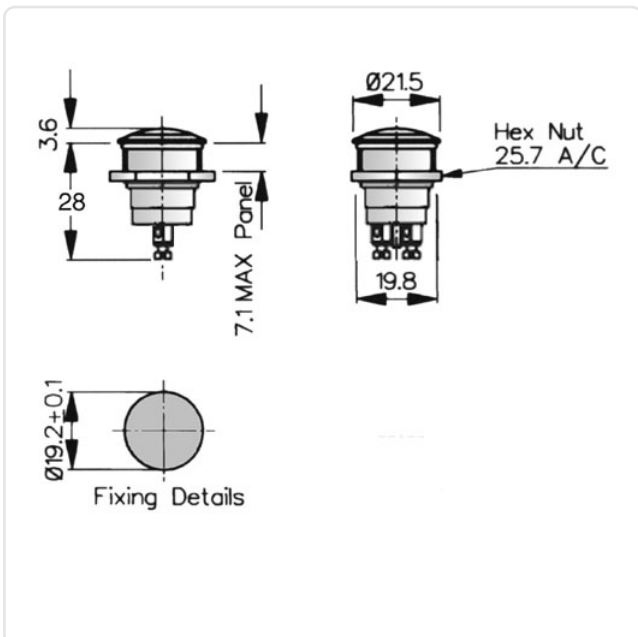


Image may be similar

Contact Plating:	Silver-plated
Diameter [mm]:	21.5
Material:	Stainless Steel AISI 316 / A4
Material Group:	Stainless Steel
Mounting Hole [mm]:	19.2
Protection Code:	IP68
Weight:	28.8g
Conformities:	<div style="display: flex; gap: 10px;"> <div style="border: 1px solid green; padding: 2px; font-size: 8px;">Reach COMPLIANT</div> <div style="border: 1px solid green; padding: 2px; font-size: 8px;">RoHS COMPLIANT</div> <div style="border: 1px solid green; padding: 2px; font-size: 8px;">SVHC COMPLIANT</div> </div>



You can find all information on the web on our article detail page



Would you like individual advice?

We look forward to your email to products@ettinger.de.

Subject to change and errors.