

Article datasheet

Spring Contact 3.0x20.0-3.5mm Bronze,tinned

Article-No.: 015.83.365

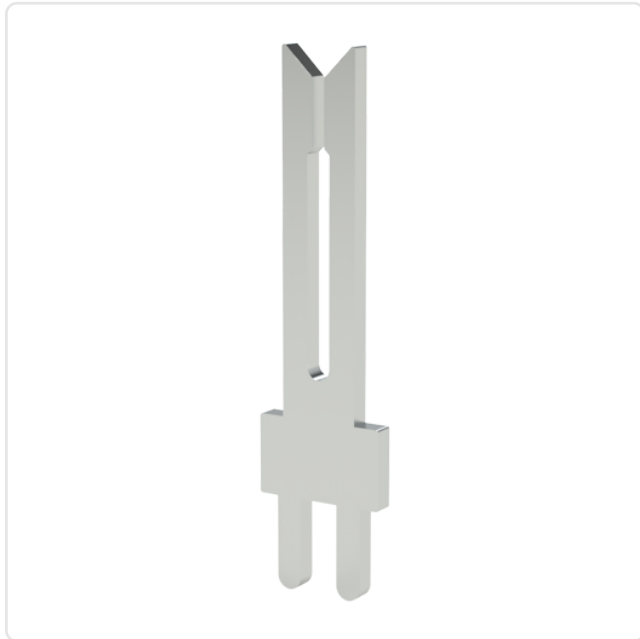


Image may be similar

Finish: Tin-Plated

Material: Bronze

Width [mm]: 3

Weight: 0.09g

Conformities:



You can find all
information on the web on
our article detail page

Would you like individual advice?

We look forward to your email to products@ettinger.de.

Subject to change and errors.

