

Article datasheet

Self-Tapping Screw for Plastic 2.5x6 PT Galvanized Q&T Steel Torx Countersunk

Article-No.: 001.92.226

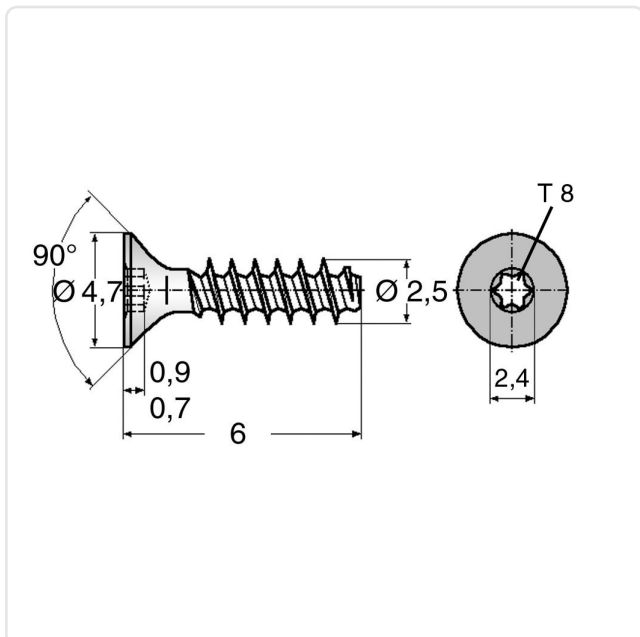


Image may be similar

Actuator Size:	Torx T8
Drive Type:	TORX
Finish:	Galvanized, Blue, 5 µm, A2K
Head Diameter [mm]:	4.7
Head Height [mm]:	1.75
Head Shape:	Countersunk Head
Length [mm]:	6
Material:	Q&T Steel
Material Group:	Stahl
Thread Diameter [mm]:	Ø 2.5
Thread Type:	PT Thread
Weight:	0.21g
Conformities:	



You can find all
information on the web on
our article detail page



Would you like individual advice?

We look forward to your email to products@ettinger.de.

Subject to change and errors.