

Article datasheet

Flat Tie Holder up to 5mm Polyamid 66 natural

Article-No.: 072.79.201

Manufacturer: Panduit

Manufacturer article-no.: TM2S8-M

PANDUIT™



Image may be similar

Cable Tie Width max. [mm]: 5.0

Color: Natural

Flammability Class: UL94-V2

Height [mm]: 7

Length [mm]: 16

Material: PA 6.6

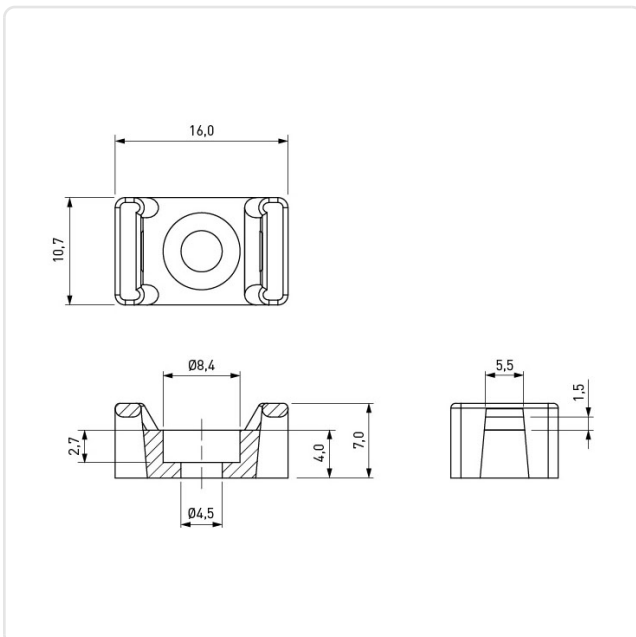
Material Group: Plastic

Model: Screw Mounting

Width [mm]: 10.6

Weight: 0.55g

Conformities:



You can find all
information on the web on
our article detail page

Would you like individual advice?

We look forward to your email to products@ettinger.de.

Subject to change and errors.