

Article datasheet

## Cable terminal DIN 46234 for M5 Copper tinned 1.5-2.5mm<sup>2</sup> AWG16-14

Article-No.: 018.64.455

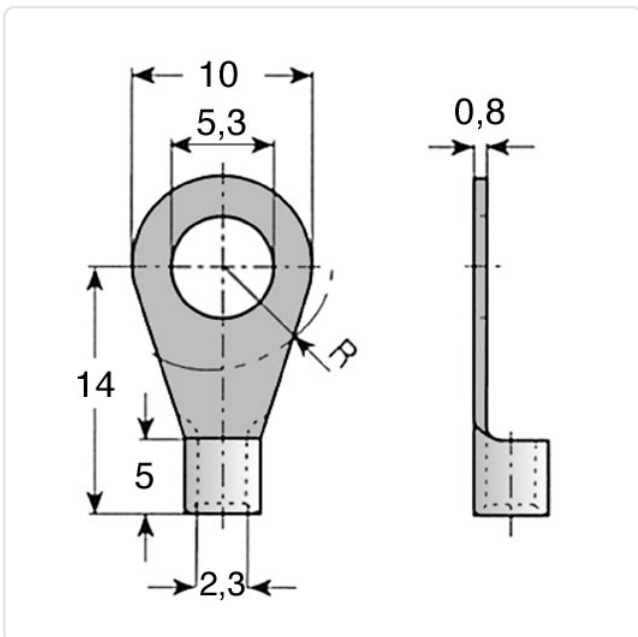


Image may be similar

DIN/ISO:	DIN46234-A
For Thread Size:	M5
Inside Dia.D1 [mm]:	2.3
Material:	Electrolytic Copper
Outer Diameter [mm]:	10
Wire Cross Section [mm <sup>2</sup> ]:	1.0-2.5
Weight:	0.91g
Conformities:	



You can find all  
information on the web on  
our article detail page



Would you like individual advice?

We look forward to your email to [products@ettinger.de](mailto:products@ettinger.de).

Subject to change and errors.