

Article datasheet

Hinged-Standoffs M3/SW5,5x15 Brass nickel-plated

Article-No.: 005.28.315

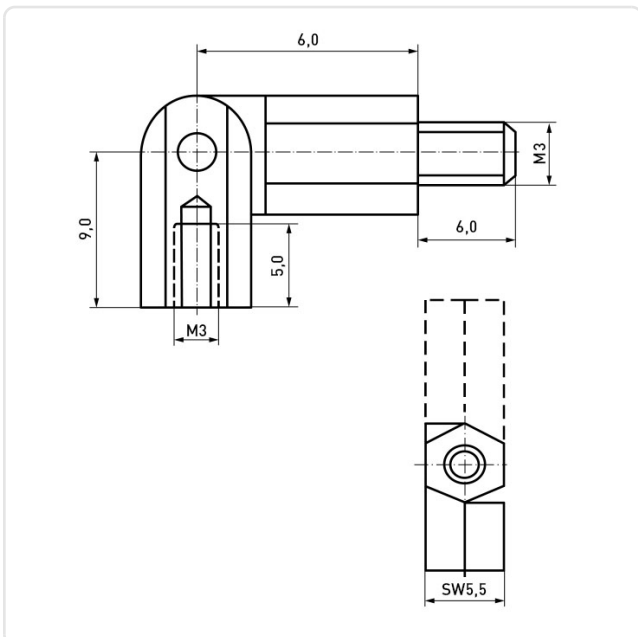


Image may be similar

Finish:	Nickel-Plated, 3 µm, E1E
Leg Length 1 [mm]:	6
Leg Length 2 [mm]:	9
Length [mm]:	15
Material:	Brass
Material Group:	Messing
Model:	Male/Female
Thread 1 Size:	M3
Thread 2 Size:	M3
Weight:	3.05g
Conformities:	<div style="display: flex; align-items: center; gap: 10px;"> <div style="border: 1px solid black; padding: 2px; text-align: center;"> Reach COMPLIANT </div> <div style="border: 1px solid black; padding: 2px; text-align: center;"> RoHS COMPLIANT </div> <div style="border: 1px solid black; padding: 2px; text-align: center;"> SVHC NOT COMPLIANT </div> </div>



You can find all
information on the web on
our article detail page



Would you like individual advice?

We look forward to your email to products@ettinger.de.

Subject to change and errors.