

Article datasheet

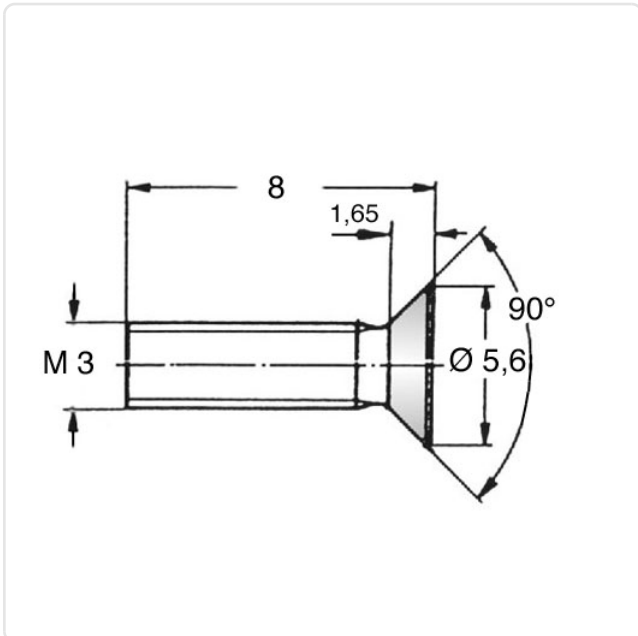
Countersunk Screw ISO14581 M3x8 Galvanized Steel 8.8 Torx

Article-No.: 001.55.331



Image may be similar

Actuator Size:	Torx T10
DIN/ISO:	ISO14581
Drive Type:	TORX
Finish:	Galvanized, Blue, 5 µm, A2K
Head Diameter [mm]:	5.6
Head Height [mm]:	1.65
Head Shape:	Countersunk Head
Length [mm]:	8
Material:	Steel 8.8, lead-free
Material Group:	Stahl
Thread Size:	M3
Weight:	0.4g
Conformities:	



You can find all
information on the web on
our article detail page

Would you like individual advice?

We look forward to your email to products@ettinger.de.

Subject to change and errors.