

Article datasheet

Chassis Mounting Socket 8-pole/IP68 5A-125V/crimp terminals

Article-No.: 031.84.280

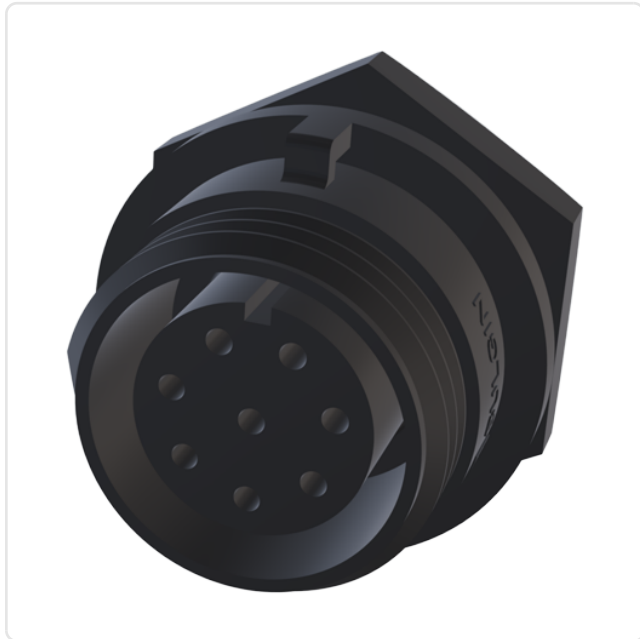


Image may be similar

Amperage [A]: 5
Color: Black
Protection Code: IP68
Weight: 7.1g
Conformities:



You can find all
information on the web on
our article detail page

Would you like individual advice?

We look forward to your email to products@ettinger.de.

Subject to change and errors.

