

Article datasheet

Power-Element M6 13x13mm 25-pole Brass tinned

Article-No.: 013.47.625

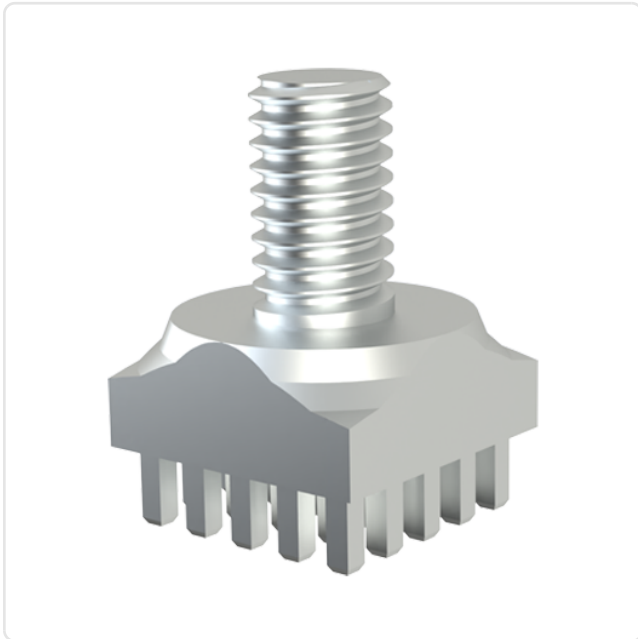
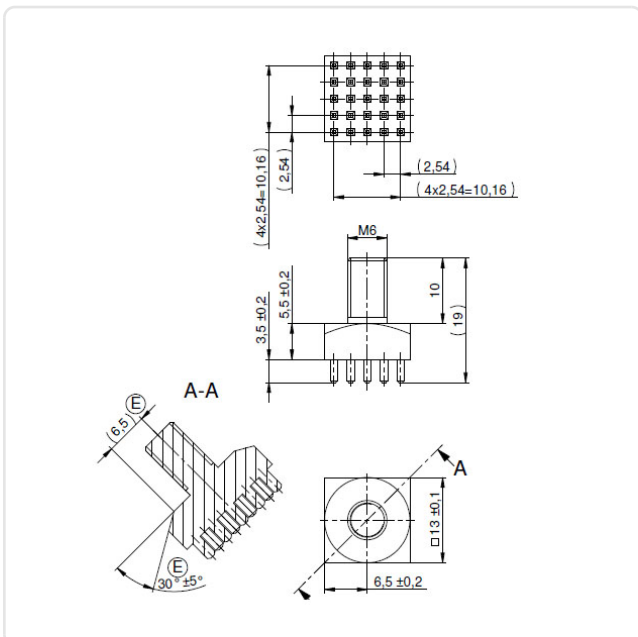


Image may be similar

Amperage [A]: 250
 Finish: Tin-Plated
 Grid [mm]: 2.54
 Material: Brass
 Material Group: Brass
 Thread Size: M6
 Conformities:



You can find all information on the web on our article detail page



Would you like individual advice?

We look forward to your email to products@ettinger.de.

Subject to change and errors.