

Article datasheet

## Snap Lock Pin with Arrowhead SLPA Polyamid 6.6 UL94 V-2 E70062

Article-No.: 072.11.615

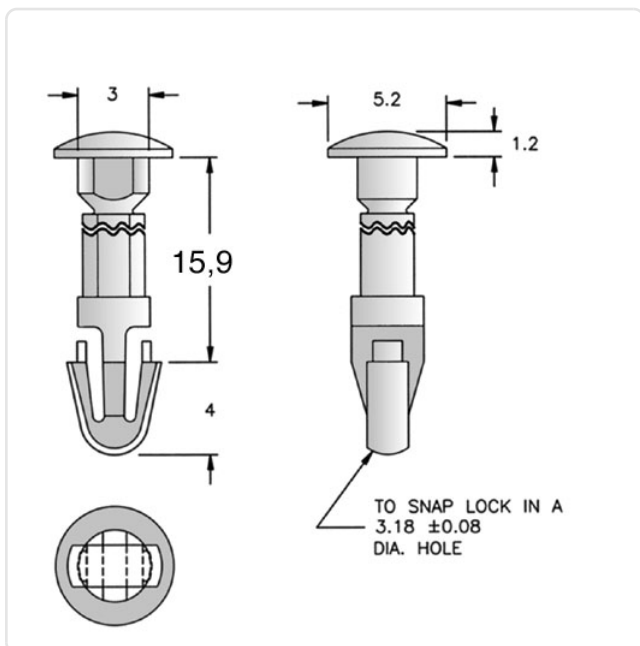


Image may be similar

Color: Natural  
Flammability Class: UL94-V2  
Head Diameter [mm]: 5.2  
Material: PA 6.6  
Material Group: Plastic  
Mounting Hole [mm]: 3  
Conformities:



You can find all information on the web on our article detail page



Would you like individual advice?

We look forward to your email to [products@ettinger.de](mailto:products@ettinger.de).

Subject to change and errors.