

Article datasheet

Diecast Aluminium Enclosures

Article-No.: 097.05.121

Manufacturer: Hammond

Manufacturer article-no.: 1590BFL

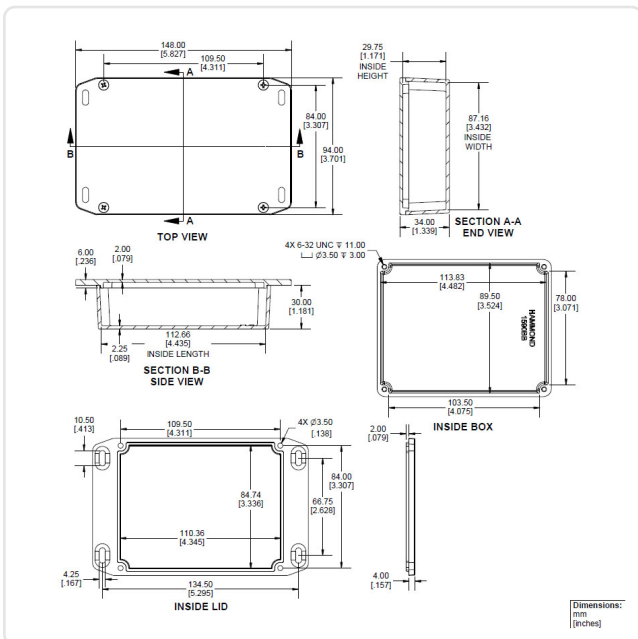


Image may be similar

Height [mm]: 27
 Length [mm]: 111.5
 Material: Aluminum
 Material Group: Aluminum
 Protection Code: IP54
 Width [mm]: 59
 Weight: 147g
 Conformities:



You can find all information on the web on our article detail page



Would you like individual advice?

We look forward to your email to products@ettinger.de.

Subject to change and errors.