

Article datasheet

Micro Wire Saddle 9.1x6.0mm/ø3.0mm Polyamid 6.6,natural/UL94-V2 E70062

Article-No.: 072.78.336

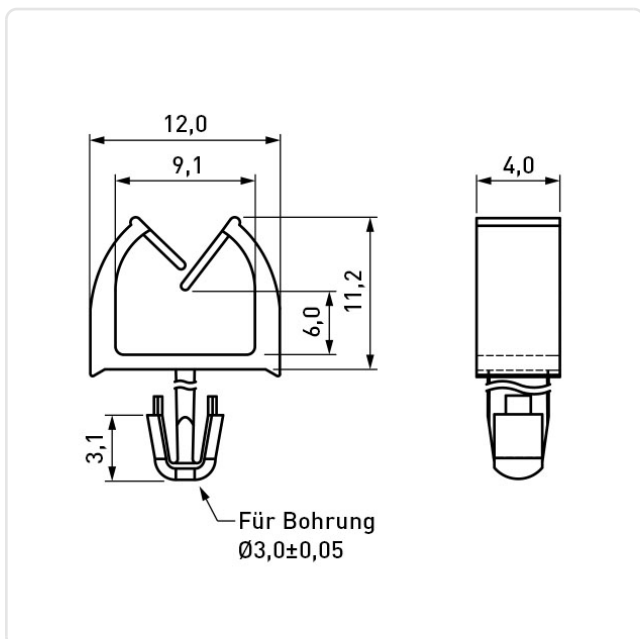


Image may be similar

Bundle Diameter [mm]: 4,0-9,0
Color: Natural
Height [mm]: 13
Material: PA 6.6
Mounting Hole [mm]: 3
Width [mm]: 12
Weight: 0.2g
Conformities:



You can find all
information on the web on
our article detail page



Would you like individual advice?

We look forward to your email to products@ettinger.de.

Subject to change and errors.