

Article datasheet

Cable Clamp One-Sided Fastening Ø 9.5 | Hole Ø 5.2 | Galvanized Steel

Article-No.: 014.53.091

Manufacturer: Keystone Electronics

Manufacturer article-no.: 8103



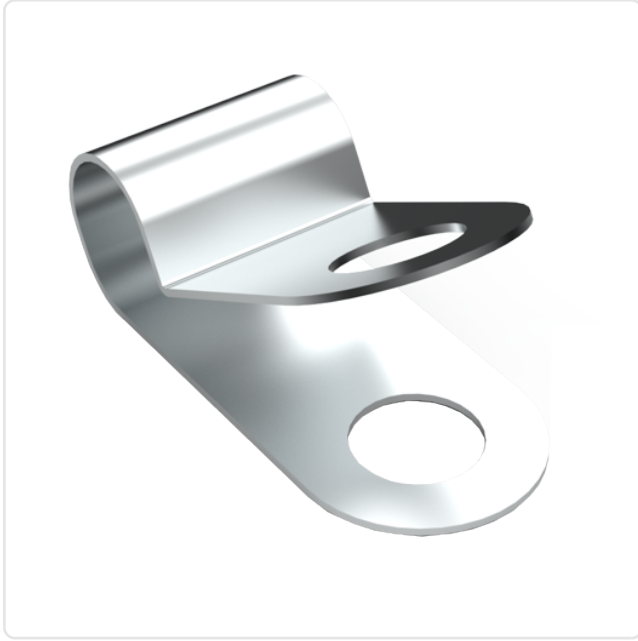
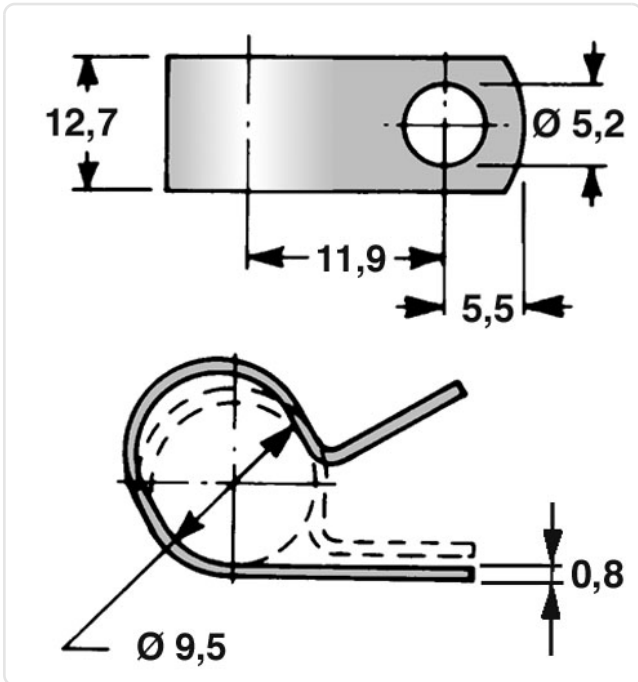


Image may be similar

Bundle Diameter [mm]:	9,5
Distance Middle/Middle [mm]:	11,9
Finish:	Galvanized, Blue, 5 µm, A2K
Material:	Steel
Mounting Hole [mm]:	5,2
Thickness [mm]:	0,8
Width [mm]:	12,7
Weight:	4,27g
Conformities:	



You can find all information on the web on our article detail page



Would you like individual advice?
We look forward to your email to products@ettinger.de.

Subject to change and errors.