

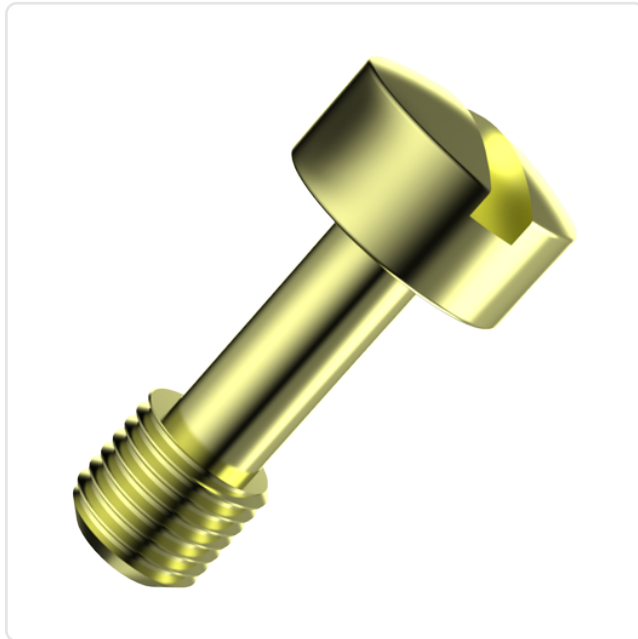
Article datasheet

## Captive Screw UNC4-40x7.1 Cheese Head Yellow Galvanized Steel 4.8 Slotted

Article-No.: 001.84.474

Manufacturer: Keystone Electronics

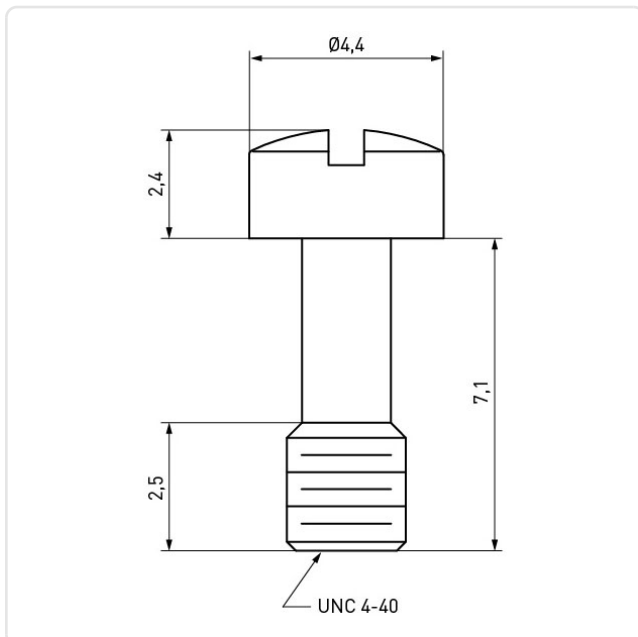
Manufacturer article-no.: 9-2061-SO



Drive Type:	Slotted
Finish:	Galvanized, Yellow, 8 µm, A3G
Head Diameter [mm]:	4.4
Head Height [mm]:	2.4
Head Shape:	Cheese Head
Length [mm]:	7.1
Material:	Steel 4.8
Material Group:	Steel
Reduced Shank Length [mm]:	4.6
Thread Size:	UNC4-40
Weight:	0.45g
Conformities:	



Image may be similar



You can find all information on the web on our article detail page

Would you like individual advice?

We look forward to your email to [products@ettinger.de](mailto:products@ettinger.de).

Subject to change and errors.