

Article datasheet

Fuse holder 3AG/6.3X32mm 15 Amps PBT/Brass-tin plated pins

Article-No.: 015.01.930

Manufacturer: Keystone Electronics

Manufacturer article-no.: 4245

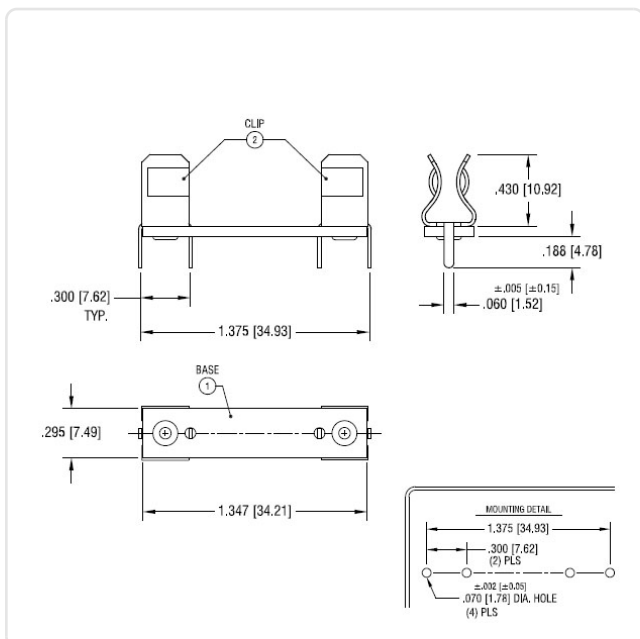


Image may be similar

Amperage [A]: 15
 Fuse Size [mm]: 6.3x32.0
 Material: PBT - Polybutylene Terephthalate
 Model: Clip Holder
 Mounting Hole [mm]: 1.8
 Weight: 3g
 Conformities:



You can find all information on the web on our article detail page



Would you like individual advice?

We look forward to your email to products@ettinger.de.

Subject to change and errors.