

Article datasheet

Swage Standoff M3x12.0 Tin-Plated Steel

Article-No.: 004.60.365

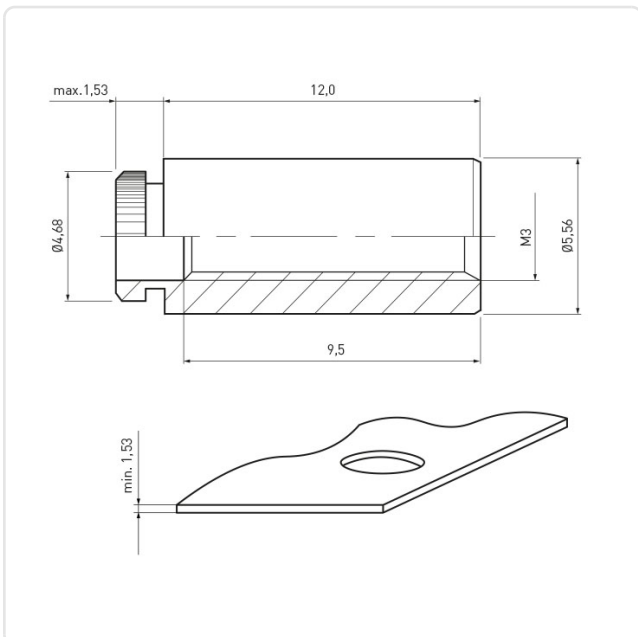


Image may be similar

Area of Application:	For Plastics
Finish:	Tin-Plated
Length [mm]:	12
Material:	Steel
Minimum Edge Distance [mm]:	4.4
Outer Diameter [mm]:	5.56
Panel Hole Ø [mm]:	4.2
Panel Thickness [mm]:	1,5
Thread Size:	M3
Weight:	1.71g
Conformities:	



You can find all
information on the web on
our article detail page



Would you like individual advice?

We look forward to your email to products@ettinger.de.

Subject to change and errors.