

Article datasheet

## Flat Cable Clamp Aluminum 31.8mm Aluminium with adhesive tape

Article-No.: 072.58.829

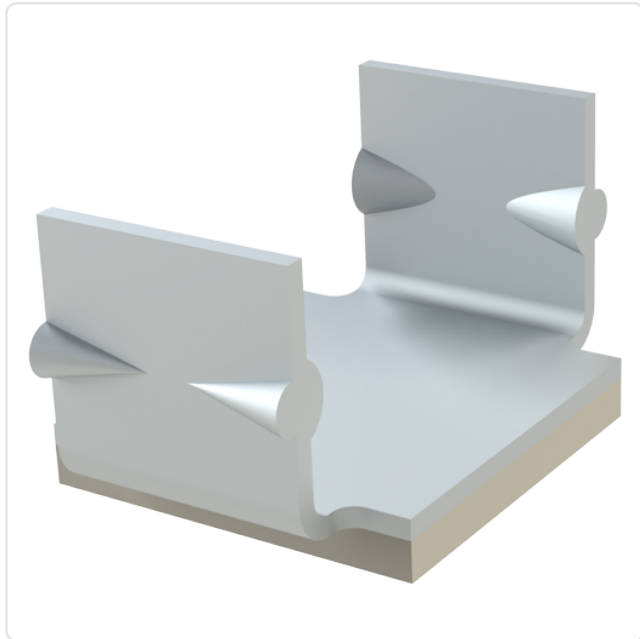
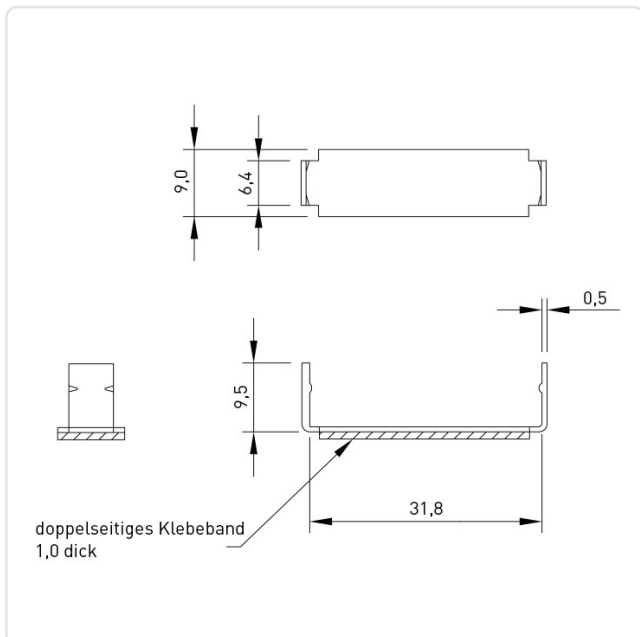


Image may be similar



Bundle Diameter [mm]:	25,0-40,0
Color:	Natural
Height [mm]:	9.5
Material:	Aluminum ENAW-5754 / AlMg3, lead-free
Material Group:	Aluminium
Model:	Flat Cable, Retaining Tab Bendable
Width [mm]:	32.8
Weight:	0.57g
Conformities:	



You can find all information on the web on our article detail page

Would you like individual advice?

We look forward to your email to [products@ettinger.de](mailto:products@ettinger.de).

Subject to change and errors.