

Article datasheet

## Nut for T-Slot DIN508 M8x10 Plain Steel 10

Article-No.: 002.04.081

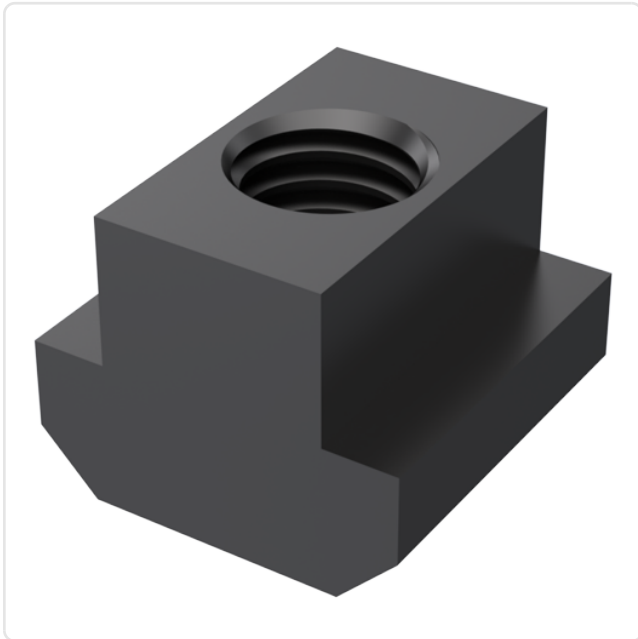


Image may be similar

DIN/ISO: DIN508  
Finish: Plain  
Head Height [mm]: 6  
Height [mm]: 12  
Length [mm]: 15  
Material: Steel - Grade 10  
Slot Width [mm]: 10  
Thread Size: M8  
Conformities:



You can find all information on the web on our article detail page

Would you like individual advice?

We look forward to your email to [products@ettinger.de](mailto:products@ettinger.de).

Subject to change and errors.

