

Article datasheet

Grounding Strap 150mm/8mm for M3 Copperfoil 0.1mm/Polyolefin insulation

Article-No.: 013.03.150

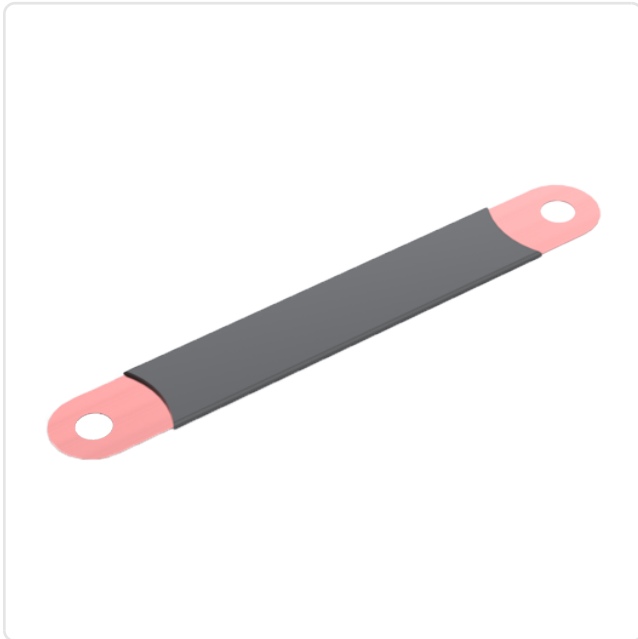
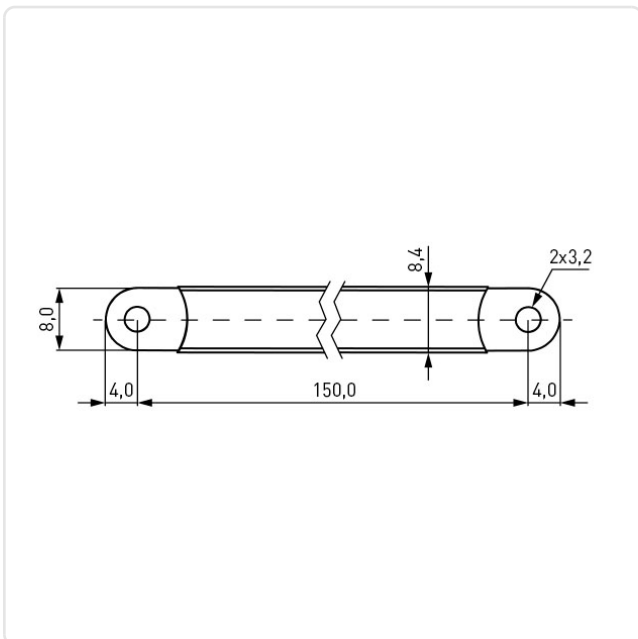


Image may be similar



Insulation: Polyolefin
Length [mm]: 158
Material: Copper
Mounting Hole [mm]: 3.2
Width [mm]: 8
Conformities:



You can find all information on the web on our article detail page

Would you like individual advice?

We look forward to your email to products@ettinger.de.

Subject to change and errors.