

Article datasheet

Drive Fasteners - Canoe Clip / Panel Thk. max. 0.9 - 4.0 mm

Article-No.: 072.01.711

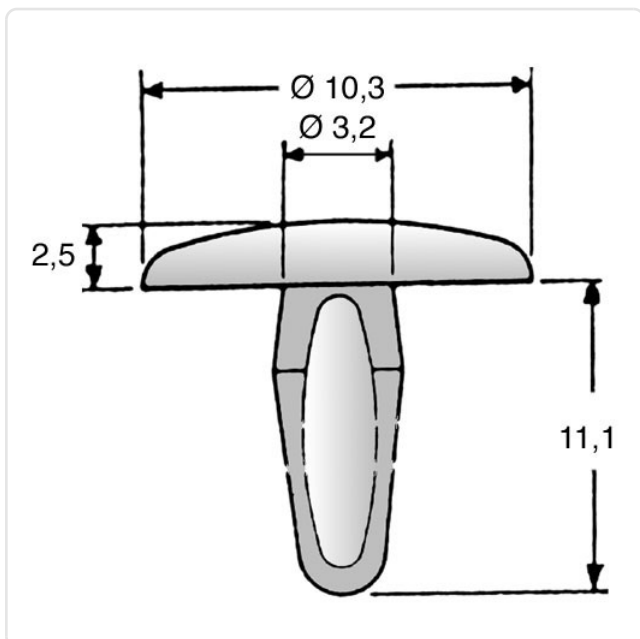


Image may be similar

Color:	Natural
Flammability Class:	UL94-V2
Head Diameter [mm]:	10.3
Material:	PA 6.6
Material Group:	Plastic
Mounting Hole [mm]:	3.5
Panel Thickness Range [mm]:	0.3 - 11.0 mm
Weight:	0.23g
Conformities:	



You can find all information on the web on our article detail page



Would you like individual advice?

We look forward to your email to products@ettinger.de.

Subject to change and errors.