

Article datasheet

Card Guide for 1/16"PCB 73mm Polyamid 6.6 natural UL94-V2 E70062

Article-No.: 075.14.270

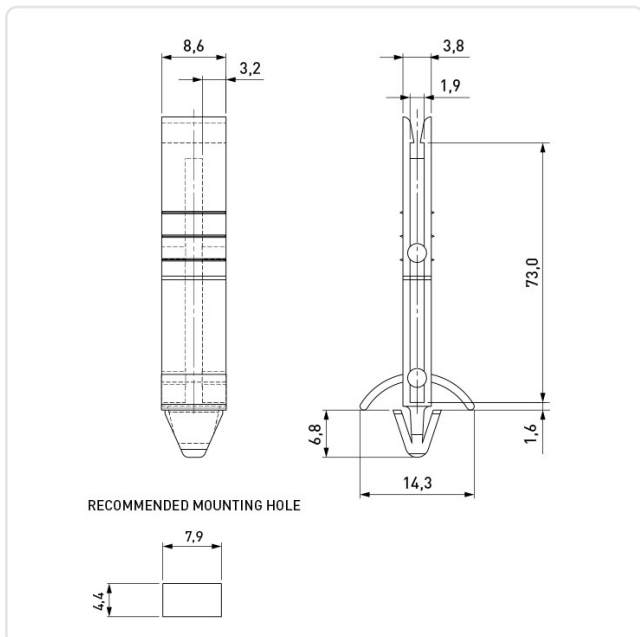


Image may be similar

Color: Natural
 Flammability Class: UL94-V2
 Length [mm]: 76.2
 Material: PA 6.6
 Material Group: Plastic
 Model: Plug-In Foot
 Width [mm]: 8.6
 Weight: 2.18g
 Conformities:



You can find all information on the web on our article detail page



Would you like individual advice?

We look forward to your email to products@ettinger.de.

Subject to change and errors.