

Article datasheet

Pin Terminal DIN 46230 4-6mm² Copper,tinned

Article-No.: 018.58.425

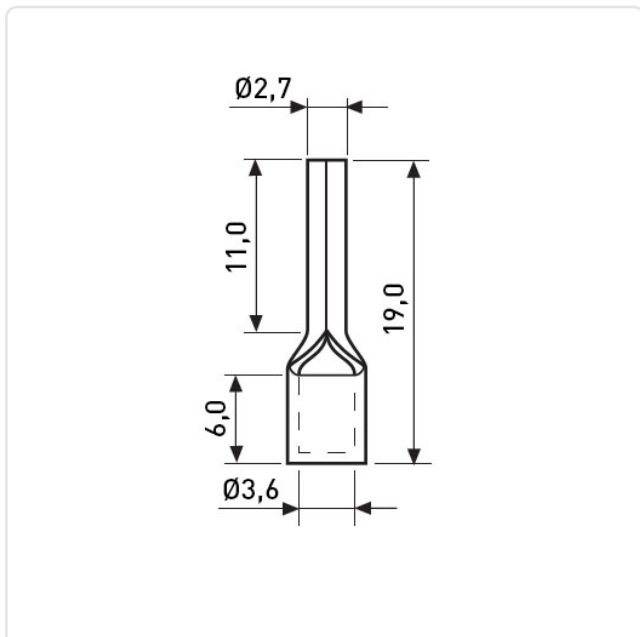


Image may be similar

Color: Silver
DIN/ISO: DIN46230
Material: Copper
Outer Diameter [mm]: 2.7
Wire Cross Section [mm²]: 4.0-6.0
Weight: 1.45g
Conformities:



You can find all
information on the web on
our article detail page



Would you like individual advice?

We look forward to your email to products@ettinger.de.

Subject to change and errors.