

Article datasheet

## IEC Power Inlet Snap-in Switch green illum./2x fuseholder

Article-No.: 044.50.307

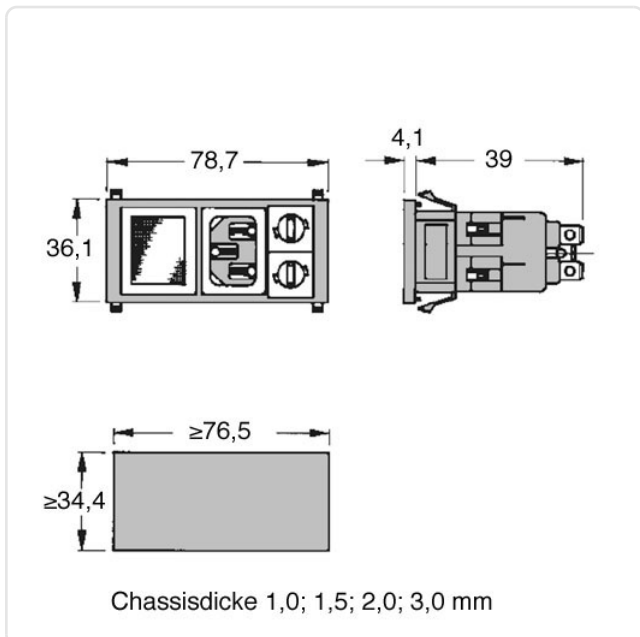


Image may be similar

Amperage [A]: 10  
Color: Black  
Connections: 6.3x0.8  
Fuse Size [mm]: 5.0x20.0  
Model: Plug, Snap-In Mounting  
Weight: 53g  
Conformities:



You can find all  
information on the web on  
our article detail page



Would you like individual advice?

We look forward to your email to [products@ettinger.de](mailto:products@ettinger.de).

Subject to change and errors.